

# Keysight Technologies

## 8157xA Optical Attenuators

Data Sheet





## Introduction

The Keysight Technologies, Inc. 8157xA Variable Optical Attenuators are instruments that attenuate and control the optical power level of light in optical fibers.

As plug-in modules for Keysight's Lightwave Solution platform (8163A/B, 8164A/B, 8166A/B) they allow you to set the attenuation factor and/or power level manually, or remotely via a common computer interface.

Their high accuracy combined with their flexibility makes them ideal as test and measurement equipment for the modern telecommunication industry.

## Modular Design for Lightwave Solution Platform

The Keysight 8157xA variable optical attenuators are a family of plug-in modules for Keysight's Lightwave Solution Platform 8163A/B, 8164A/B and 8166A/B. The attenuator modules 81570A, 81571A and 81578A occupy one slot, while modules 81576A and 81577A occupy two slots. With 17 slots, the Keysight 8166A/B Lightwave Multichannel System can host up to 17 single slot modules or up to 8 dual slot modules.

## Variable Optical Attenuators

The Keysight 81570A, 81571A and 81578A are small, cost-effective attenuator modules with high resolution. They feature excellent wavelength flatness and can handle high input power levels. Combined with their low insertion loss, they are ideal for optical amplifier test, such as characterization of EDFAs and of Raman amplifiers, as well as for other multi-wavelength applications, such as DWDM transmission system test. Various calibration features allow the user to set a reference power. Both the attenuation and the power level, relative to the reference power, can then be set and displayed in the user interface. An integrated shutter, which can be used for protection purposes, or to simulate channel drops, is included.

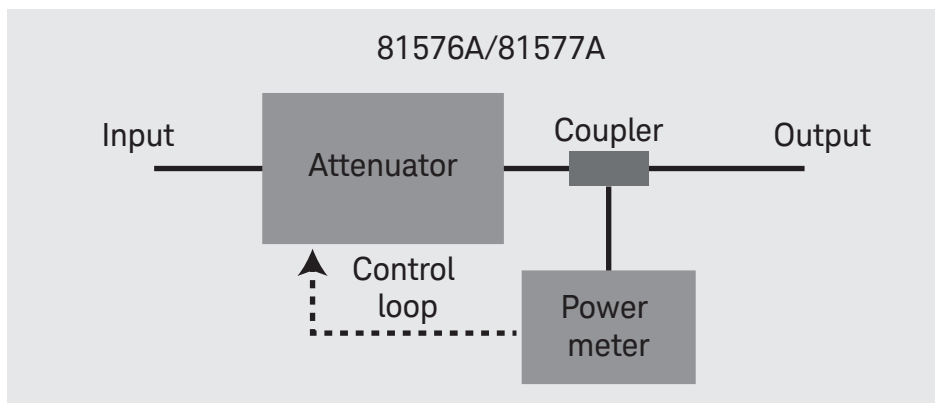
The multimode 81578A brings this performance to multimode test and can be ordered for 50  $\mu\text{m}$  or 62.5  $\mu\text{m}$  fiber.



## Attenuators with Power Control

The Keysight 81576A and 81577A attenuators feature power control functionality that allows you to set the output power level of the attenuator. The attenuator module uses the feedback signal from a photodiode after a monitor tap, both integrated in the module, to set the desired power level at the output of the module. When the power control mode is enabled, the module automatically corrects power changes at the input to maintain the output level set by the user. After an initial calibration for the uncertainties at connector interfaces, absolute power levels can be set with high accuracy. The absolute accuracy of these power levels depends on the accuracy of the reference power meter used for calibration.

These modules also feature high power handling capability and excellent wavelength flatness for DWDM applications. To set a total power level of a multi-wavelength signal, it is necessary to determine the convolution of the signal's spectrum with the sensitivity of the photodiode over wavelength. An enhanced calibration feature supports this process and enables setting the integral power of a DWDM signal with a known spectrum.



## Calibration Processes

Comprehensive offset functionality in the firmware enhances the calibration of the optical path in various test set-ups. There is an offset for the attenuation factor, and an independent offset for the output power level, to calibrate for losses due to the patch cords and connectors. Additionally, wavelength and offset value pairs can be stored in a table to compensate for wavelength dependent effects in the optical path of the set-up. This allows you to set the optical power level at your Device Under Test.

Calibration is even easier and more convenient if the reference power meter and the attenuator are hosted by the same mainframe: All power related offsets can be determined by a firmware function that reads a value from the reference power meter. The difference between the power value read by the reference power meter and the actual value of the attenuator is automatically stored as the offset.

## Key Features

- High input powers up to 2 Watt
- Excellent wavelength flatness: typical  $\pm 0.05$  dB
- Low insertion loss: typical 0.7 dB
- Wide wavelength range: 1200 nm to 1700 nm (SM), 700 nm to 1400 nm (MM)
- High resolution: 0.001 dB
- Modular design allows up to 17 attenuators in one mainframe
- Active power control options to set power levels directly
- Comprehensive offsets allow easy calibration of the set-up
- Integrated shutter
- The Keysight versatile optical connector interfaces for all

## Applications

- Bit error ratio test
- Characterization of transceivers, receivers, transmitters and line cards
- Test of single channel transmission systems
- DWDM channel equalization
- Loss simulation in fiber optic links
- Testing and calibrating the linearity of power meters
- Optical Amplifier Test
  - Characterization of EDFAs
  - Test of Raman amplifiers and SOAs
- Multi channel transmission system test
- Loss simulation of DWDM signals in fiber optic links



The Keysight 8157xA modules are produced to the ISO 9001 international quality system standard as part of the Keysight commitment to continually increasing customer satisfaction through improved quality control.

## Variable Optical Attenuator Modules (Single Mode Fibers)

	81570A	81571A
Connectivity	Straight connector, versatile interface	Angled connector
Fiber type	9/125 $\mu$ m SMF28	
Wavelength range	1200 nm to 1700 nm	
Attenuation range	0 dB to 60 dB	
Resolution	0.001 dB	
Repeatability <sup>1</sup>	$\pm 0.01$ dB	
Accuracy (uncertainty) <sup>1,2,3,4</sup>	$\pm 0.1$ dB (at 1550 nm) Typ. $\pm 0.1$ dB (1250 nm to 1650 nm)	
Settling time <sup>5</sup>	Typ. 100 ms	
Transition speed	Typ. 0.1 to 12 dB/s	
Attenuation flatness <sup>1,4,6,8</sup>	$\pm 0.07$ dB; typ. $\pm 0.05$ dB (1520 nm < $\lambda$ < 1620 nm) Typ. $\pm 0.10$ dB (1450 nm < $\lambda$ < 1640 nm)	
Spectral ripple <sup>7</sup>	Typ. $\pm 0.003$ dB	
Insertion loss <sup>2,4,9,10</sup>	Typ. 0.7 dB (excluding connectors) < 1.6 dB (typ. 1.0 dB) (including connectors) <sup>11</sup>	
Insertion loss flatness <sup>1,11</sup>	Typ. $\pm 0.1$ dB (1420 nm < $\lambda$ < 1615 nm) <sup>4</sup>	
Polarization dependent loss <sup>2,11</sup>	0.08 dBpp; typ. 0.03 dBpp (at 1550 nm $\pm 15$ nm)	
Return loss <sup>11</sup>	Typ. 45 dB (at 1550 nm $\pm 15$ nm)	Typ. 57 dB (at 1550 nm $\pm 15$ nm)
Maximum input power <sup>12</sup>	+33 dBm	
Shutter isolation	Typ. 100 dB	
Dimensions (H x W x D)	75 mm x 32 mm x 335 mm (2.8" x 1.3" x 13.2")	
Weight	0.9 kg	
Recommended recalibration period	2 years	
Operating temperature	10 °C to 45 °C	
Humidity	Non-condensing	
Warm-up time	30 minutes	

- At constant operating conditions
- Temperature within 23 °C  $\pm 5$  °C
- Input power < +30 dBm
- For unpolarized light
- Step size < 1 dB, for full range: typ. 6 seconds
- Relative to reference at 0 dB attenuation
- Linewidth of source  $\geq 100$  MHz
- $\lambda_{\text{disp}}$  set to 1550 nm; attenuation  $\leq 20$  dB;  
for attenuation > 20 dB:  
add typ. 0.01 dB ( $\alpha$  [dB] – 20) for 1520 nm <  $\lambda$  < 1620 nm  
add typ. 0.02 dB ( $\alpha$  [dB] – 20) for 1450 nm <  $\lambda$  < 1640 nm
- For  $\lambda = 1550$  nm  $\pm 15$  nm
- Add typ. 0.1 dB for  $\lambda = 1310$  nm  $\pm 15$  nm
- Measured with Keysight reference connectors
- Keysight Technologies Deutschland GmbH assumes no responsibility for damages caused by scratched or poorly cleaned connectors.

## Variable Optical Attenuator Modules with Power Control (Single Mode Fibers)

	<b>81576A</b>		<b>81577A</b>	
Connectivity	Straight connector, versatile interface		Angled connector, versatile interface	
Fiber type	9/125 $\mu$ m SMF			
Wavelength range	1250 nm to 1650 nm			
Attenuation range	0 to 60 dB			
Resolution	0.001 dB			
	<b>Attenuation setting</b>	<b>Power setting</b>	<b>Attenuation setting</b>	<b>Power setting</b>
Repeatability	$\pm 0.010$ dB	$\pm 0.015$ dB <sup>2</sup>	$\pm 0.010$ dB	$\pm 0.015$ dB <sup>2</sup>
Accuracy (uncertainty) <sup>1,3,4,5</sup>	$\pm 0.1$ dB		$\pm 0.1$ dB	
Settling time <sup>6</sup>	Typ. 100 ms	Typ. 300 ms	Typ. 100 ms	Typ. 300 ms
Transition speed	Typ. 0.1 – 12 dB/s			
Relative power meter uncertainty <sup>7,8</sup>	$\pm 0.03$ dB $\pm 200$ pW			
Attenuation flatness <sup>1,5,9,10</sup>	$\pm 0.07$ dB; typ. $\pm 0.05$ dB (1520 nm < $\lambda$ < 1620 nm) Typ. $\pm 0.10$ dB (1450 nm < $\lambda$ < 1640 nm)			
Spectral ripple <sup>11</sup>	Typ. $\pm 0.003$ dB			
Insertion loss <sup>3,5,12,13</sup>	Typ. 0.9 dB (excluding connectors) 1.8 dB; typ. 1.2 dB (including connectors) <sup>14</sup>			
Insertion loss flatness <sup>1,4</sup>	Typ. $\pm 0.1$ dB (1420 nm < $\lambda$ < 1615 nm) <sup>5</sup>			
Polarization dependent loss <sup>3,12,14</sup>	0.10 dBpp; typ. 0.05 dBpp			
Return loss <sup>12,14</sup>	Typ. 45 dB		Typ. 57 dB	
Maximum input power <sup>15</sup>	+ 33 dBm			
Shutter isolation	Typ. 100 dB			
Dimensions (H x W x D)	75 mm x 64 mm x 335 mm (2.8" x 2.6" x 13.2")			
Weight	1.3 kg			
Recommended recalibration period	2 years			
Operating temperature	10 °C to 45 °C			
Humidity	Non-condensing			
Warm-up time	30 minutes			

1. At constant operating temperature
2. Output power > -40 dBm, input power < +27 dBm. For input power > +27 dBm add typ.  $\pm 0.01$  dB
3. Temperature within 23 °C  $\pm 5^\circ$
4. Input Power < +30 dBm;  $\lambda = 1550$  nm  $\pm 15$  nm; typ. for 1250 nm <  $\lambda$  < 1650 nm
5. For unpolarized light
6. Step size < 1 dB; for full range: typ. 6 seconds
7. Wavelength and SOP constant; temperature constant and between 23 °C  $\pm 5^\circ$ ;  $\lambda$  < 1630 nm; 1s averaging time
8. Output power > -45 dBm, input power  $\leq 27$  dBm, for input power > +27 dBm add typ.  $\pm 0.02$  dB
9. Relative to reference at 0 dB attenuation
10.  $\lambda_{disp}$  set to 1550 nm; attenuation  $\leq 20$  dB;
  - for attenuation > 20 dB:
    - add typ. 0.01 dB ( $\alpha$  [dB] - 20) for 1520 nm <  $\lambda$  < 1620 nm
    - add typ. 0.02 dB ( $\alpha$  [dB] - 20) for 1450 nm <  $\lambda$  < 1640 nm
11. Linewidth of source  $\geq 100$  MHz
12. For  $\lambda = 1550$  nm  $\pm 15$  nm
13. Add typ. 0.1 dB for  $\lambda = 1310$  nm  $\pm 15$  nm
14. Measured with Keysight reference connectors
15. Keysight Technologies Deutschland GmbH assumes no responsibility for damages caused by scratched or poorly cleaned connectors.

## Variable Optical Attenuator Modules (Multimode Fibers)

The specifications below are valid for constant operating and signal launch conditions.

	81578A #050	81578A #062
Connectivity	Straight connector versatile interface	
Fiber type	50/125 $\mu$ m MMF	62.5/125 $\mu$ m MMF
Wavelength range	700 nm to 1400 nm	
Attenuation range	0 to 60 dB	
Resolution	0.001 dB	
Repeatability <sup>1,2,5</sup>	$\pm 0.015$ dB	
Accuracy (uncertainty) <sup>1,2,3,4,5</sup>	Typ. $\pm 0.15$ dB (800 nm to 1350 nm) $\pm 0.2$ dB (at 850 nm $\pm 15$ nm, 1310nm $\pm 15$ nm)	
Settling time <sup>6</sup>	Typ. 100 ms	
Transition speed	Typ. 0.1 – 12 dB/s	
Insertion loss <sup>1,2,4,5</sup>	Typ. 1.0 dB (NA = 0.1) Typ. 1.3 dB (NA = 0.2) 2.0 dB (NA = 0.2)	Typ. 1.0 dB (NA = 0.1) Typ. 3.0 dB (NA = 0.27) 2.0 dB (NA = 0.2) Typ. 3.0 dB (NA = 0.27)
Return loss <sup>2,5,7</sup>	Typ. 27 dB	
Maximum input power <sup>8</sup>	+27 dBm	
Shutter isolation	Typ. 100 dB	
Dimensions (H x W x D)	75 mm x 32 mm x 335 mm (2.8" x 1.3" x 13.2")	
Weight	0.9 kg	
Recommended recalibration period	2 years	
Operating temperature	10 °C to 45 °C	
Humidity	Non-condensing	
Warm-up time	30 minutes	

1. At constant operating conditions
2. Effective spectral bandwidth of source > 5 nm
3. For mode launch conditions with NA = 0.2; for every  $\Delta$ NA = 0.01 add typ.  $\pm 0.01$  dB
4. Temperature within 23 °C  $\pm$  5 °C and unpolarized light
5. At 850 nm  $\pm$  15 nm, 1310 nm  $\pm$  15 nm
6. Step size < 1 dB, for full range: typ. 6 seconds
7. The return loss is mainly limited by the return loss of the front panel connectors
8. Keysight Technologies Deutschland GmbH assumes no responsibility for damages caused by scratched or poorly cleaned connectors.

## Evolving Since 1939

Our unique combination of hardware, software, services, and people can help you reach your next breakthrough. We are unlocking the future of technology.

From Hewlett-Packard to Agilent to Keysight.



For more information on Keysight Technologies' products, applications or services, please contact your local Keysight office. The complete list is available at: [www.keysight.com/find/contactus](http://www.keysight.com/find/contactus)

### Americas

Canada	(877) 894 4414
Brazil	55 11 3351 7010
Mexico	001 800 254 2440
United States	(800) 829 4444

### Asia Pacific

Australia	1 800 629 485
China	800 810 0189
Hong Kong	800 938 693
India	1 800 11 2626
Japan	0120 (421) 345
Korea	080 769 0800
Malaysia	1 800 888 848
Singapore	1 800 375 8100
Taiwan	0800 047 866
Other AP Countries	(65) 6375 8100

### Europe & Middle East

Austria	0800 001122
Belgium	0800 58580
Finland	0800 523252
France	0805 980333
Germany	0800 6270999
Ireland	1800 832700
Israel	1 809 343051
Italy	800 599100
Luxembourg	+32 800 58580
Netherlands	0800 0233200
Russia	8800 5009286
Spain	800 000154
Sweden	0200 882255
Switzerland	0800 805353
	Opt. 1 (DE)
	Opt. 2 (FR)
	Opt. 3 (IT)
United Kingdom	0800 0260637

For other unlisted countries: [www.keysight.com/find/contactus](http://www.keysight.com/find/contactus) (BP-9-7-17)



[www.keysight.com/go/quality](http://www.keysight.com/go/quality)  
Keysight Technologies, Inc.  
DEKRA Certified ISO 9001:2015  
Quality Management System

### myKeysight

#### myKeysight

[www.keysight.com/find/mykeysight](http://www.keysight.com/find/mykeysight)

A personalized view into the information most relevant to you.

[www.keysight.com/find/emt\\_product\\_registration](http://www.keysight.com/find/emt_product_registration)

Register your products to get up-to-date product information and find warranty information.



#### Keysight Services

[www.keysight.com/find/service](http://www.keysight.com/find/service)

Keysight Services can help from acquisition to renewal across your instrument's lifecycle. Our comprehensive service offerings—one-stop calibration, repair, asset management, technology refresh, consulting, training and more—helps you improve product quality and lower costs.



#### Keysight Assurance Plans

[www.keysight.com/find/AssurancePlans](http://www.keysight.com/find/AssurancePlans)

Up to ten years of protection and no budgetary surprises to ensure your instruments are operating to specification, so you can rely on accurate measurements.

#### Keysight Channel Partners

[www.keysight.com/find/channelpartners](http://www.keysight.com/find/channelpartners)

Get the best of both worlds: Keysight's measurement expertise and product breadth, combined with channel partner convenience.

[www.keysight.com/find/lightwave](http://www.keysight.com/find/lightwave)

[www.keysight.com/find/voa](http://www.keysight.com/find/voa)

